

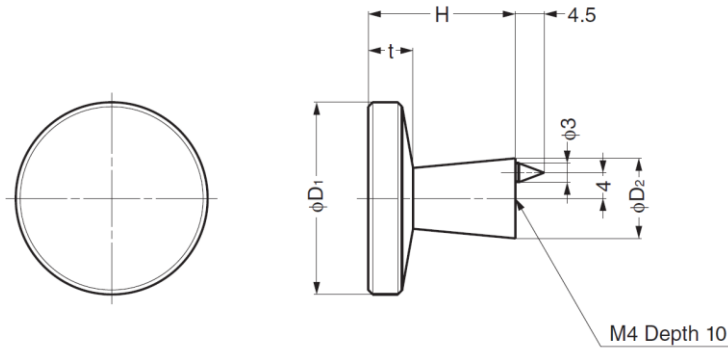
## GTS Knob

**Material**

- Brass, satin nickel finish

**Parts Included**

- Truss head screw M4x25



Part No.	D <sub>1</sub>	D <sub>2</sub>	H	t
GTS-25	25	14.5	23	6.7
GTS-30	30			
GTS-36	36	15	24	7.5

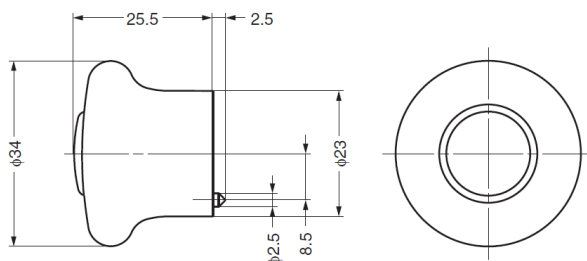
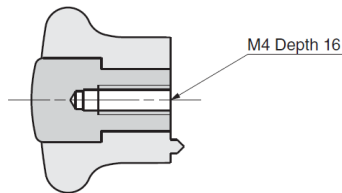
## GKM-130 Knob

**Material**

- Zinc alloy, satin nickel or satin gold finish

**Parts Included**

- Truss head screw M4x30



Part No.	Finish
GKM130SN/SN	Satin Nickel / Clear
GKM130SG/SG	Satin Gold / Clear